

Did You Know

about our...

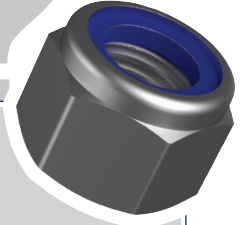


HOBSON PRESS

NYLOC® Thick Hex Nut

NYLOC®

Nylon insert
locknuts

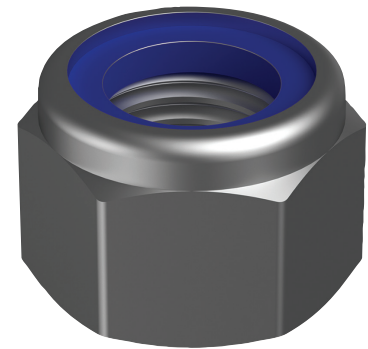


Anti-vibration solution.

NYLOC® THICK HEX NUT ZINC PLATED / DIN982 / CLASS 8

**NEW
PRODUCT**

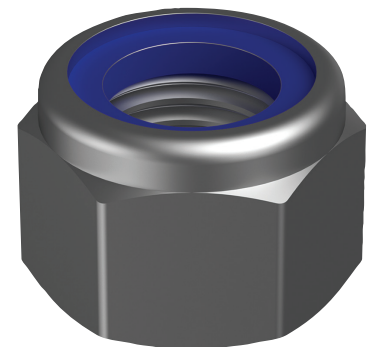
Part	Size	TPI (mm)	Across Flats (mm)	Height (mm)	Pack
NN08ZHCM06	M6	1.00	10	8.0	200
NN08ZHCM08	M8	1.25	13	9.5	200
NN08ZHCM10	M10	1.50	17	11.5	200
NN08ZHCM12	M12	1.75	19	14.0	100
NN08ZHCM16	M16	2.00	24	18.0	100
NN08ZHCM20	M20	2.50	30	22.0	50



NYLOC® THICK HEX NUT ZINC PLATED / DIN982 / CLASS 10

**NEW
PRODUCT**

Part	Size	TPI (mm)	Across Flats (mm)	Height (mm)	Pack
NN10ZHCM12	M12	1.75	19	14.0	100
NN10ZHCM16	M16	2.00	24	18.0	100
NN10ZHCM20	M20	2.50	30	22.0	50



1709181DYK

Quality Fasteners Since 1935



www.hobson.com.au