

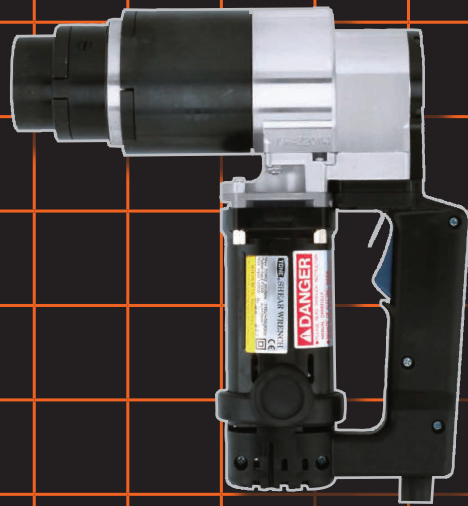
DID YOU KNOW?



about our... **TONE® TCBOLT Shear Wrench**

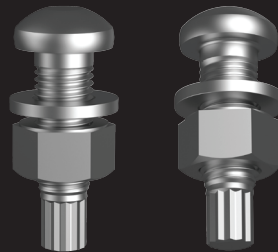
Bolting made Safe, Easy and Accurate

TONE® TCBOLT Shear Wrench

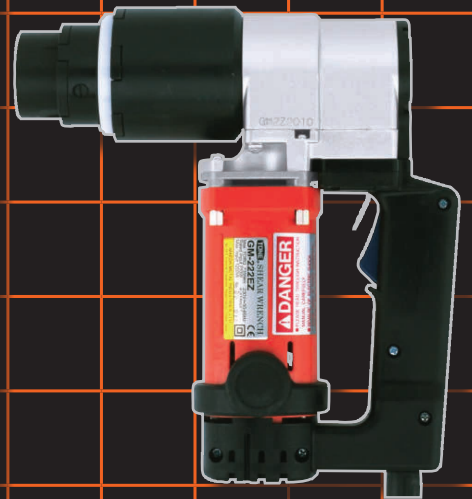


PART: XT-GH-242EZ
M16, M20, M22, M24

» For use with TCBOLTS
EN 14399-10 Class 10.9 HRC



» Light Weight
» Low Noise



PART: XT-GM-222EZ
M16, M20, M22



PART: XT-GH-242EZ	PART	PART: XT-GM-222EZ
M16, M20, M22, M24	Adaptable Bolts Diameter	M16, M20, M22
50-60Hz	Frequency	50-60Hz
230V	Rated Voltage (Single Phase)	230V
5.5A	Max. Current	5.5A
1200W	Rated Input Power	1200W
2s/3s	Intermittent Operation (rated operating time / rated resting time)	2s/3s
950N.m (701 lbf.ft)	Rated Max. Torque	735N.m (542lbf.ft)
10min ⁻¹ (rpm)	No-Load Speed	14min ⁻¹ (rpm)
6.2kg	Weight (Main Body)	4.8kg



Japanese Engineering

TONE® Sockets also available.



hobson.com.au **QUALITY FASTENERS SINCE 1935**