

DID YOU KNOW?



about our... **Hex K-Lock Nut and Tooth Lock Washer**

Pre-assembled nut with free spinning external tooth-lock washer.

**NEW
PRODUCT**

HEX K-LOCK NUT - TOOTH LOCK DIN 934K / CLASS 5 / ZINC PLATED (RoHS COMPLIANT)

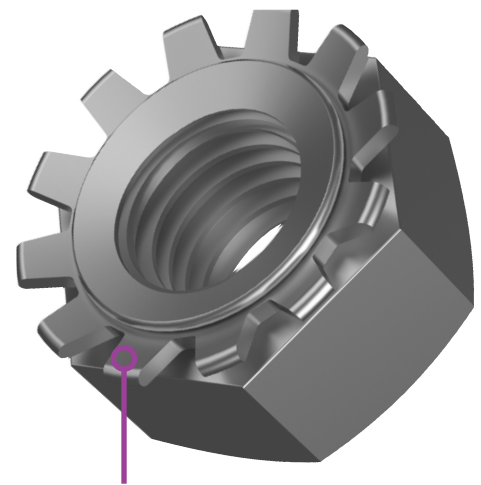
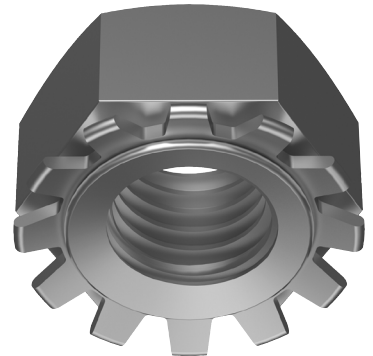
Part	Size	Spanner Size	Nut Height	Overall Height	Pack Qty
		Ø (mm)	(mm)	(mm)	
NK05ZECM05	M5	8	4	4.8	1000
NK05ZECM06	M6	10	5	6.0	1000

Features:

- Combined and assembled nut and washer (single piece).
- Free spinning tooth-lock washer with 12 teeth.
- Locking washer to resist loosening- saves assembly time and installation cost.

Application:

- Convenience of the assembled nut and washer
- Electrical and electronic equipment
- White goods
- IT and communication equipment
- Robotics



Free spinning
tooth-lock washer

Bolt Tension | Anti-Vibration | Product Reliability | Traceability

hobson.com.au **QUALITY FASTENERS SINCE 1935**

