

DID YOU KNOW?

about our...



**NEW
PRODUCT**

SEMS Hex Phillips Bolt with Spring and Flat Washer

SEMS HEX PHILLIPS BOLT WITH SPRING AND FLAT WASHER ZINC YELLOW PASSIVATE / GB 9074.13 / CLASS 8.8

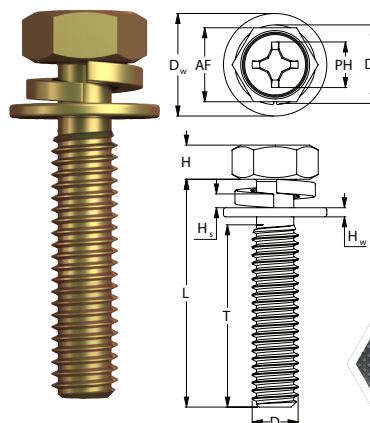
Part	Nominal Size	Length	Thread Length	Head Height	Washer Diameter	Washer Thickness	Spring Washer Diameter	Spring Washer Thickness	Across Flats	Phillips Drive
	D (mm)	L (mm)	T (mm)	H (mm)	Dw (mm)	Hw (mm)	Ds (mm)	Hs (mm)	AF (mm)	PH
LSMS88YHPCM05012	M5	12	6	3.5	10	1	8.8	1.3	8	#2
LSMS88YHPCM05016	M5	16	10	3.5	10	1	8.8	1.3	8	#2
LSMS88YHPCM05020	M5	20	14	3.5	10	1	8.8	1.3	8	#2
LSMS88YHPCM05025	M5	25	19	3.5	10	1	8.8	1.3	8	#2
LSMS88YHPCM06016	M6	16	8	4.0	12	1.6	10.7	1.6	10	#2
LSMS88YHPCM06018	M6	18	10	4.0	12	1.6	10.7	1.6	10	#2
LSMS88YHPCM06020	M6	20	12	4.0	12	1.6	10.7	1.6	10	#2
LSMS88YHPCM06025	M6	25	17	4.0	12	1.6	10.7	1.6	10	#2
LSMS88YHPCM06030	M6	30	22	4.0	12	1.6	10.7	1.6	10	#2
LSMS88YHPCM06040	M6	40	32	4.0	12	1.6	10.7	1.6	10	#2

FEATURES

- Captivated spring and flat washer for ease of installation
- Phillips drive hex head for multiple tightening choices
- Options for easier screw removal
- Encapsulated flat and spring washer reduces installation time and assembly costs while increasing output

APPLICATIONS

- Automotive, electrical and telecommunications industries
- Automotive applications such as interior panels, front quarter panels, side panels and aftermarket accessories
- For use by auto electricians



You can download this
Test Certificate and/or
Report from our website:
hobson.com.au

Disclaimer: while every reasonable effort has been made to ensure that this document is correct at the time of printing, Hobson Engineering®, its agencies and employees disclaim all liability in respect to anything or the consequences of anything done or omitted regarding the whole or any part of this document. HEC product marking is the manufacturing mark of Hobson Engineering. HEC is a registered trademark of Hobson Engineering.

Bolt Tension | Anti-Vibration | Product Reliability | Traceability

hobson.com.au **QUALITY FASTENERS SINCE 1935**

