

# DID YOU KNOW?

about our...



**NEW  
PRODUCT**

## Spring Nut Setter

**SPRING NUT SETTER**  
S2 ALLOY STEEL BLACK / IMPAX DRIVE BIT 1/4



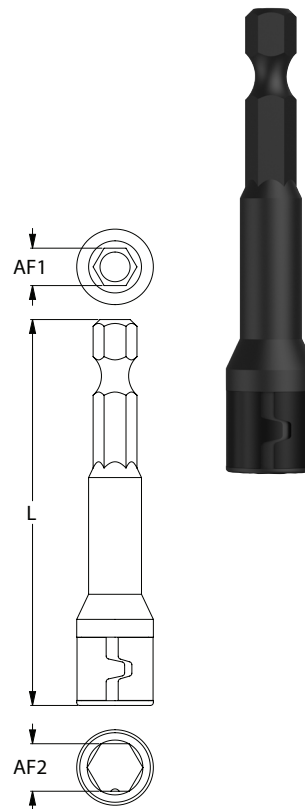
Part	Qfind	Drive Size		Length
		AF1 (in)	AF2 (in)	
TXDIPSS31065	<b>BA48</b>	1/4	5/16	65
TXDIPSS31150	<b>BA49</b>	1/4	5/16	150
TXDIPSS37065	<b>BA50</b>	1/4	3/8	65
TXDIPSS37150	<b>BA51</b>	1/4	3/8	150

### APPLICATIONS

- For use with stainless steel screws
- Fastening screws with different head heights

### FEATURES

- Non-magnetic
- Features ball locks and spring
- Holds fasteners more securely during installation



**impax**<sup>®</sup>  
**POWER-TX**

Disclaimer: while every reasonable effort has been made to ensure that this document is correct at the time of printing, Hobson Engineering®, its agencies and employees disclaim all liability in respect to anything or the consequences of anything done or omitted regarding the whole or any part of this document. HEC product marking is the manufacturing mark of Hobson Engineering. HEC is a registered trademark of Hobson Engineering.

Bolt Tension | Anti-Vibration | Product Reliability | Traceability

**hobson.com.au** **QUALITY FASTENERS SINCE 1935**



2406212DYK