

DID YOU KNOW?

about our...

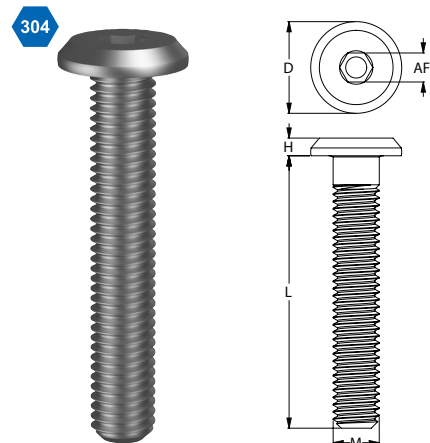


**NEW
PRODUCT**

Furniture Connector Bolt

FURNITURE CONNECTOR BOLT 304 STAINLESS / HEX / A2

Part	Diameter	Length	Nominal Size	Head Height	Drive Size
	D (mm)	L (mm)	M (mm)	H (mm)	AF (mm)
HFBC04PCM06016	12.5	16	M6	2.5	4
HFBC04PCM06025	12.5	25	M6	2.5	4
HFBC04PCM06030	12.5	30	M6	2.5	4
HFBC04PCM06035	12.5	35	M6	2.5	4
HFBC04PCM06040	12.5	40	M6	2.5	4
HFBC04PCM06045	12.5	45	M6	2.5	4
HFBC04PCM06050	12.5	50	M6	2.5	4
HFBC04PCM06055	12.5	55	M6	2.5	4
HFBC04PCM06060	12.5	60	M6	2.5	4
HFBC04PCM06065	12.5	65	M6	2.5	4
HFBC04PCM06070	12.5	70	M6	2.5	4
HFBC04PCM06075	12.5	75	M6	2.5	4
HFBC04PCM06080	12.5	80	M6	2.5	4



APPLICATIONS

- Building and restoring furniture

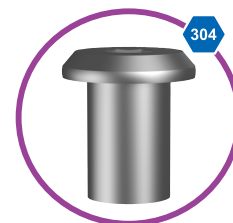
FEATURES

- 304 stainless steel for superior corrosion protection
- Matching head on the Hobson Furniture Connector Nut allows for a symmetrical finish

Recommended for use with:

FURNITURE CONNECTOR NUT 304 STAINLESS / HEC / A2

Part	Diameter (mm)
HFNC04PCM06012	M6



Disclaimer: while every reasonable effort has been made to ensure that this document is correct at the time of printing, Hobson Engineering®, its agencies and employees disclaim all liability in respect to anything or the consequences of anything done or omitted regarding the whole or any part of this document. HEC product marking is the manufacturing mark of Hobson Engineering. HEC is a registered trademark of Hobson Engineering.

Bolt Tension | Anti-Vibration | Product Reliability | Traceability

hobson.com.au **QUALITY FASTENERS SINCE 1935**

