

DID YOU KNOW?

about our...



**NEW
PRODUCT**

Aluminium Rivet Nut Reduced Head Round Knurl Open

RIVET NUT REDUCED HEAD ROUND KNURL OPEN ALUMINIUM / HEC



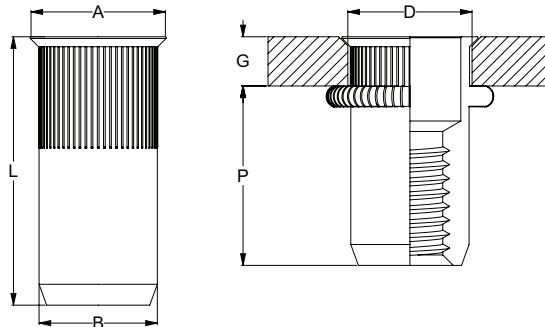
Part	Size	Length L (mm)	Grip Range		Hole Diameter D (mm)	Body Diameter B (mm)	Head Diameter A (mm)	Protrusion P (mm)
			Min.	Max.				
NRALPRKOM03085	M3	8.5	0.5	1.5	5	4.9	6	6.0
NRALPRKOM04100	M4	10.0	0.5	1.5	6	5.9	7	6.0
NRALPRKOM05120	M5	12.0	0.5	2.5	7	6.9	8	7.6
NRALPRKOM06145	M6	14.5	0.5	3.0	9	8.9	10	9.0
NRALPRKOM08165	M8	16.5	1.0	3.5	11	10.9	12	12.0

APPLICATIONS

- Used in the automotive industry to fasten body panels, chassis components and other parts
- Used in construction to fasten steel sheets
- Ideal for load-bearing applications where material is too thin for bolting
- Useful for applications where there is no access for a traditional nut
- Ease of installation and low installation cost

FEATURES

- Also called countersunk head, flush head or thin sheet type
- Knurled body to grip and prevent rotation
- Low-profile head allows near-flush fit to sheet metal



DRILLX[®]



You can download this
Test Certificate and/or
Report from our website:
hobson.com.au

Disclaimer: while every reasonable effort has been made to ensure that this document is correct at the time of printing, Hobson Engineering®, its agencies and employees disclaim all liability in respect to anything or the consequences of anything done or omitted regarding the whole or any part of this document. HEC product marking is the manufacturing mark of Hobson Engineering. HEC is a registered trademark of Hobson Engineering.

Bolt Tension | Anti-Vibration | Product Reliability | Traceability

hobson.com.au QUALITY FASTENERS SINCE 1935

