

DID YOU KNOW?

about our...

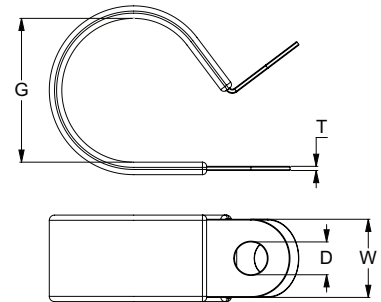


**NEW
PRODUCT**

P-Clamp PRC 10.0 Hole 20 Band

P-CLAMP PRC 10.0 HOLE 20 BAND ZINC PLATED / VINYL

Part	QFind	Hole Diameter	Pipe Size	Thickness	Width
		D (mm)	G (mm)	T (mm)	W (mm)
PHCZVPRC20008T	PRCV148	10	8	0.8	20
PHCZVPRC20010T	PRCV150	10	10	0.8	20
PHCZVPRC20013T	PRCV152	10	13	0.8	20
PHCZVPRC20014T	PRCV154	10	14	0.8	20
PHCZVPRC20016T	PRCV156	10	16	0.8	20
PHCZVPRC20018T	PRCV158	10	18	0.8	20
PHCZVPRC20019T	PRCV160	10	19	0.8	20
PHCZVPRC20020T	PRCV162	10	20	0.8	20
PHCZVPRC20022T	PRCV164	10	22	0.8	20
PHCZVPRC20024T	PRCV166	10	24	0.8	20
PHCZVPRC20025T	PRCV168	10	25	0.8	20
PHCZVPRC20027T	PRCV170	10	27	0.8	20
PHCZVPRC20029T	PRCV172	10	29	0.8	20
PHCZVPRC20032T	PRCV174	10	32	0.8	20
PHCZVPRC20036T	PRCV176	10	36	0.8	20
PHCZVPRC20038T	PRCV178	10	38	0.8	20
PHCZVPRC20042T	PRCV180	10	42	0.8	20
PHCZVPRC20051T	PRCV182	10	51	0.8	20



APPLICATIONS

- Securely hold cables, wires, hoses, and pipes in place
- Automotive
- Electrical
- Plumbing
- Mechanical systems

FEATURES

- Zinc plated band
- PVC (vinyl) sleeve to protect cables and wires

Disclaimer: while every reasonable effort has been made to ensure that this document is correct at the time of printing, Hobson Engineering®, its agencies and employees disclaim all liability in respect to anything or the consequences of anything done or omitted regarding the whole or any part of this document. HEC product marking is the manufacturing mark of Hobson Engineering. HEC is a registered trademark of Hobson Engineering.

Bolt Tension | Anti-Vibration | Product Reliability | Traceability

hobson.com.au **QUALITY FASTENERS SINCE 1935**



250623DYK