

DID YOU KNOW?

about our...

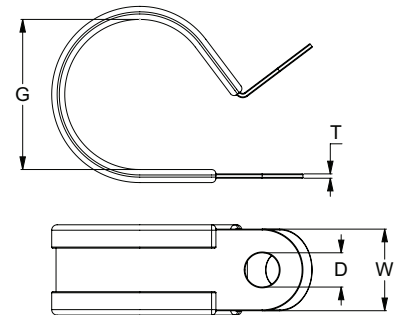


**NEW
PRODUCT**

P-Clamp PRC 6.3 Hole 15 Band Z/P

P-CLAMP PRC 6.3 HOLE 15 BAND ZINC PLATED / RUBBER / HEC

Part	QFind	Hole Diameter	Pipe Size	Thickness	Width
		D (mm)	G (mm)	T (mm)	W (mm)
PHCZRPRC15003	PRCR101	6.3	3.2	0.8	15.0
PHCZRPRC15004	PRCR103	6.3	4.8	0.8	15.0
PHCZRPRC15006	PRCR105	6.3	6.4	0.8	15.0
PHCZRPRC15007	PRCR107	6.3	7.9	0.8	15.0
PHCZRPRC15009	PRCR109	6.3	9.5	0.8	15.0
PHCZRPRC15011	PRCR111	6.3	11.1	0.8	15.0
PHCZRPRC15012	PRCR113	6.3	12.7	0.8	15.0
PHCZRPRC15014	PRCR115	6.3	14.3	0.8	15.0
PHCZRPRC15015	PRCR117	6.3	15.9	0.8	15.0
PHCZRPRC15017	PRCR119	6.3	17.5	0.8	15.0
PHCZRPRC15019	PRCR121	6.3	19.0	0.8	15.0
PHCZRPRC15036	PRCR141	6.3	36.5	0.8	15.0



APPLICATIONS

- Securely holds cables, wires, hoses, and pipes in place
- Used with M6 bolt or 14 gauge screw

FEATURES

- Rubber sleeve to protect cables and wires
- Rubber absorbs vibrations to prevent loosening

Disclaimer: while every reasonable effort has been made to ensure that this document is correct at the time of printing, Hobson Engineering®, its agencies and employees disclaim all liability in respect to anything or the consequences of anything done or omitted regarding the whole or any part of this document. HEC product marking is the manufacturing mark of Hobson Engineering. HEC is a registered trademark of Hobson Engineering.

Bolt Tension | Anti-Vibration | Product Reliability | Traceability

hobson.com.au **QUALITY FASTENERS SINCE 1935**

Page 1 of 3



260115DYK

DID YOU KNOW?

about our...



**NEW
PRODUCT**

P-Clamp PRC 6.3 Hole 15 Band Z/P

P-CLAMP PRC 6.3 HOLE 15 BAND ZINC PLATED / RUBBER / HEC

Part	QFind	Hole Diameter	Pipe Size	Thickness	Width
		D (mm)	G (mm)	T (mm)	W (mm)
PHCZRPRC15006T	PRCR106	6.3	6.4	0.8	15.0
PHCZRPRC15007T	PRCR108	6.3	7.9	0.8	15.0
PHCZRPRC15009T	PRCR110	6.3	9.5	0.8	15.0
PHCZRPRC15011T	PRCR112	6.3	11.1	0.8	15.0
PHCZRPRC15012T	PRCR114	6.3	12.7	0.8	15.0
PHCZRPRC15014T	PRCR116	6.3	14.3	0.8	15.0
PHCZRPRC15015T	PRCR118	6.3	15.9	0.8	15.0
PHCZRPRC15017T	PRCR120	6.3	17.5	0.8	15.0
PHCZRPRC15019T	PRCR122	6.3	19.0	0.8	15.0
PHCZRPRC15020T	PRCR124	6.3	20.6	0.8	15.0
PHCZRPRC15022T	PRCR126	6.3	22.2	0.8	15.0
PHCZRPRC15025T	PRCR128	6.3	25.4	0.8	15.0
PHCZRPRC15027T	PRCR130	6.3	27.0	0.8	15.0
PHCZRPRC15028T	PRCR132	6.3	28.6	0.8	15.0
PHCZRPRC15030T	PRCR134	6.3	30.2	0.8	15.0
PHCZRPRC15031T	PRCR136	6.3	31.8	0.8	15.0
PHCZRPRC15033T	PRCR138	6.3	33.3	0.8	15.0
PHCZRPRC15034T	PRCR140	6.3	34.9	0.8	15.0
PHCZRPRC15036T	PRCR142	6.3	36.5	0.8	15.0
PHCZRPRC15038T	PRCR144	6.3	38.1	0.8	15.0



Part numbers ending in 'T'
come in a small carton of 10

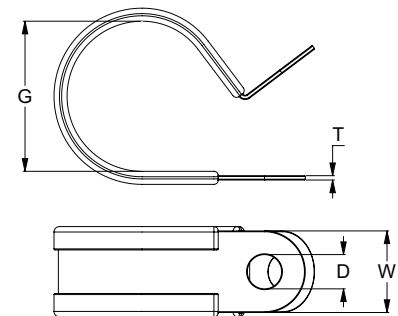


Table continued on next page.

Disclaimer: while every reasonable effort has been made to ensure that this document is correct at the time of printing, Hobson Engineering®, its agencies and employees disclaim all liability in respect to anything or the consequences of anything done or omitted regarding the whole or any part of this document. HEC product marking is the manufacturing mark of Hobson Engineering. HEC is a registered trademark of Hobson Engineering.

Bolt Tension | Anti-Vibration | Product Reliability | Traceability

hobson.com.au **QUALITY FASTENERS SINCE 1935**

Page 2 of 3



280115DYK

DID YOU KNOW?

about our...



**NEW
PRODUCT**

P-Clamp PRC 6.3 Hole 15 Band Z/P

P-CLAMP PRC 6.3 HOLE 15 BAND ZINC PLATED / RUBBER / HEC

Part	QFind	Hole Diameter	Pipe Size	Thickness	Width
		D (mm)	G (mm)	T (mm)	W (mm)
PHCZRPRC15039T	PRCR146	6.3	39.0	0.8	15.0
PHCZRPRC15042T	PRCR148	6.3	42.0	0.8	15.0
PHCZRPRC15044T	PRCR150	6.3	44.5	0.8	15.0
PHCZRPRC15047T	PRCR152	6.3	47.0	0.8	15.0
PHCZRPRC15051T	PRCR154	6.3	51.8	0.8	15.0
PHCZRPRC15054T	PRCR156	6.3	51.8	0.8	15.0
PHCZRPRC15060T	PRCR158	6.3	60.0	0.8	15.0
PHCZRPRC15064T	PRCR160	6.3	64.0	0.8	15.0
PHCZRPRC15074T	PRCR162	6.3	74.0	0.8	15.0
PHCZRPRC15100T	PRCR163	6.3	100.0	0.8	15.0
PHCZRPRC15110T	PRCR164	6.3	110.0	0.8	15.0



Part numbers ending in 'T'
come in a small carton of 10

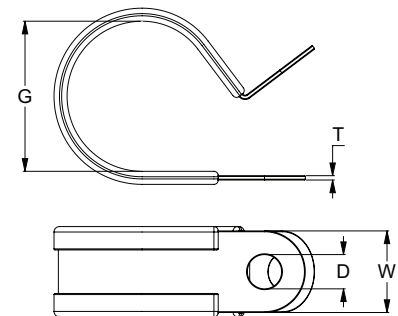


APPLICATIONS

- Securely holds cables, wires, hoses, and pipes in place
- Used with M6 bolt or 14 gauge screw

FEATURES

- Rubber sleeve to protect cables and wires
- Rubber absorbs vibrations to prevent loosening



Disclaimer: while every reasonable effort has been made to ensure that this document is correct at the time of printing, Hobson Engineering®, its agencies and employees disclaim all liability in respect to anything or the consequences of anything done or omitted regarding the whole or any part of this document. HEC product marking is the manufacturing mark of Hobson Engineering. HEC is a registered trademark of Hobson Engineering.

Bolt Tension | Anti-Vibration | Product Reliability | Traceability

hobson.com.au **QUALITY FASTENERS SINCE 1935**

Page 3 of 3



260115DYK