

DID YOU KNOW?

about our...

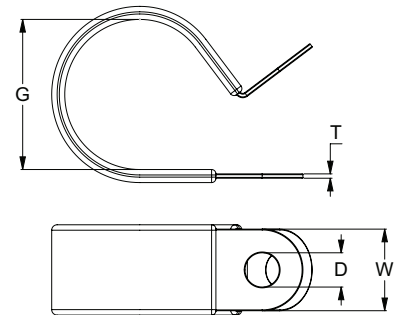


**NEW
PRODUCT**

P-Clamp PRC 6.3 Hole 15 Band Z/P

P-CLAMP PRC 6.3 HOLE 15 BAND ZINC PLATED / VINYL / HEC

Part	QFind	Hole Diameter	Pipe Size	Thickness		Width
		D (mm)	G (mm)	T (mm)	W (mm)	
PHCZVPRC15006	PRCV101	6.3	6.0	0.8	15.0	
PHCZVPRC15008	PRCV103	6.3	8.0	0.8	15.0	
PHCZVPRC15010	PRCV105	6.3	10.0	0.8	15.0	
PHCZVPRC15011	PRCV107	6.3	11.0	0.8	15.0	
PHCZVPRC15013	PRCV109	6.3	13.0	0.8	15.0	
PHCZVPRC15014	PRCV111	6.3	14.0	0.8	15.0	
PHCZVPRC15016	PRCV113	6.3	16.0	0.8	15.0	
PHCZVPRC15018	PRCV115	6.3	18.0	0.8	15.0	
PHCZVPRC15019	PRCV117	6.3	19.0	0.8	15.0	



APPLICATIONS

- Securely hold cables, wires, hoses, and pipes in place
- Automotive
- Electrical
- Plumbing
- Mechanical systems

FEATURES

- Zinc plated band
- PVC (vinyl) sleeve to protect cables and wires

Disclaimer: while every reasonable effort has been made to ensure that this document is correct at the time of printing, Hobson Engineering®, its agencies and employees disclaim all liability in respect to anything or the consequences of anything done or omitted regarding the whole or any part of this document. HEC product marking is the manufacturing mark of Hobson Engineering. HEC is a registered trademark of Hobson Engineering.

Bolt Tension | Anti-Vibration | Product Reliability | Traceability

hobson.com.au **QUALITY FASTENERS SINCE 1935**



Page 1 of 2

260210DYK

DID YOU KNOW?

about our...



**NEW
PRODUCT**

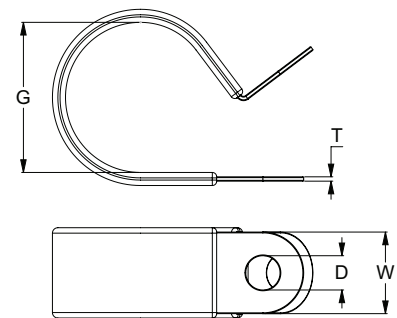
P-Clamp PRC 6.3 Hole 15 Band Z/P

P-CLAMP PRC 6.3 HOLE 15 BAND ZINC PLATED / VINYL / HEC

Part	QFind	Hole Diameter	Pipe Size	Thickness	Width
		D (mm)	G (mm)	T (mm)	W (mm)
PHCZVPRC15006T	PRCV102	6.3	6.0	0.8	15.0
PHCZVPRC15008T	PRCV104	6.3	8.0	0.8	15.0
PHCZVPRC15010T	PRCV106	6.3	10.0	0.8	15.0
PHCZVPRC15011T	PRCV108	6.3	11.0	0.8	15.0
PHCZVPRC15013T	PRCV110	6.3	13.0	0.8	15.0
PHCZVPRC15014T	PRCV112	6.3	14.0	0.8	15.0
PHCZVPRC15016T	PRCV114	6.3	16.0	0.8	15.0
PHCZVPRC15018T	PRCV116	6.3	18.0	0.8	15.0
PHCZVPRC15019T	PRCV118	6.3	19.0	0.8	15.0
PHCZVPRC15021T	PRCV120	6.3	21.0	0.8	15.0
PHCZVPRC15024T	PRCV122	6.3	24.0	0.8	15.0
PHCZVPRC15025T	PRCV124	6.3	25.0	0.8	15.0
PHCZVPRC15027T	PRCV126	6.3	27.0	0.8	15.0
PHCZVPRC15032T	PRCV128	6.3	32.0	0.8	15.0
PHCZVPRC15033T	PRCV130	6.3	33.0	0.8	15.0
PHCZVPRC15040T	PRCV134	6.3	40.0	0.8	15.0
PHCZVPRC15044T	PRCV136	6.3	44.0	0.8	15.0
PHCZVPRC15046T	PRCV138	6.3	46.0	0.8	15.0
PHCZVPRC15051T	PRCV140	6.3	51.0	0.8	15.0
PHCZVPRC15057T	PRCV142	6.3	57.0	0.8	15.0
PHCZVPRC15070T	PRCV144	6.3	70.0	0.8	15.0
PHCZVPRC15090T	PRCV146	6.3	90.0	0.8	15.0



Part numbers ending in 'T' come in a small carton of 10



Disclaimer: while every reasonable effort has been made to ensure that this document is correct at the time of printing, Hobson Engineering®, its agencies and employees disclaim all liability in respect to anything or the consequences of anything done or omitted regarding the whole or any part of this document. HEC product marking is the manufacturing mark of Hobson Engineering. HEC is a registered trademark of Hobson Engineering.

Bolt Tension | Anti-Vibration | Product Reliability | Traceability

hobson.com.au **QUALITY FASTENERS SINCE 1935**

Page 2 of 2



260210DYK