

# Quick Start Guide

May 2020



## Pro Tips (read first)

- Store all hardware to prevent corrosion, reducing the effort needed to tension the bolts.
- Lubricate both the bolt threads and washer face of nuts to reduce friction and improve the installation.
- Use a tool with enough power, hardware testing can check this.
- Hole detail in the steelwork is critical for proper assembly.
- Videos, tips and specific instructions are available at [appliedbolting.com](http://appliedbolting.com).

Bolt Tension | Anti-Vibration | Product Reliability | Traceability

[hobson.com.au](http://hobson.com.au) **QUALITY FASTENERS SINCE 1935**



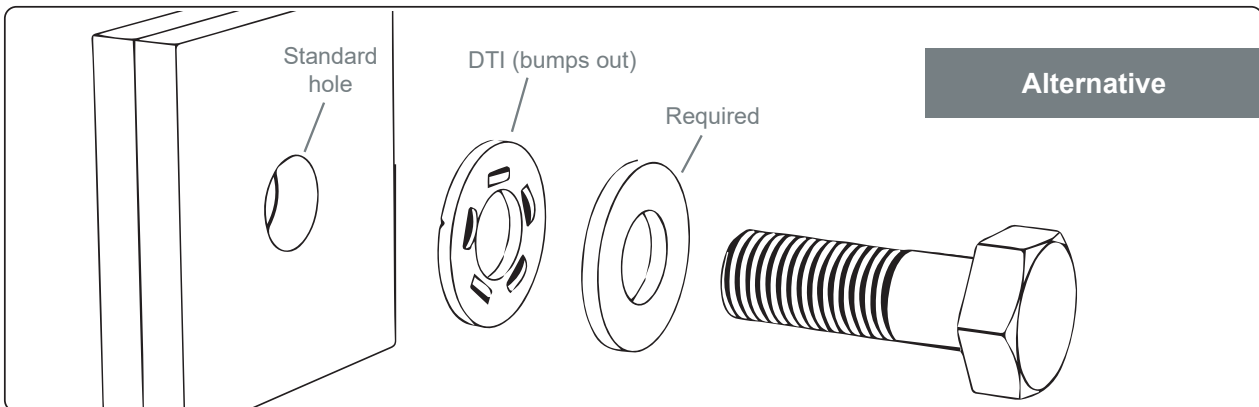
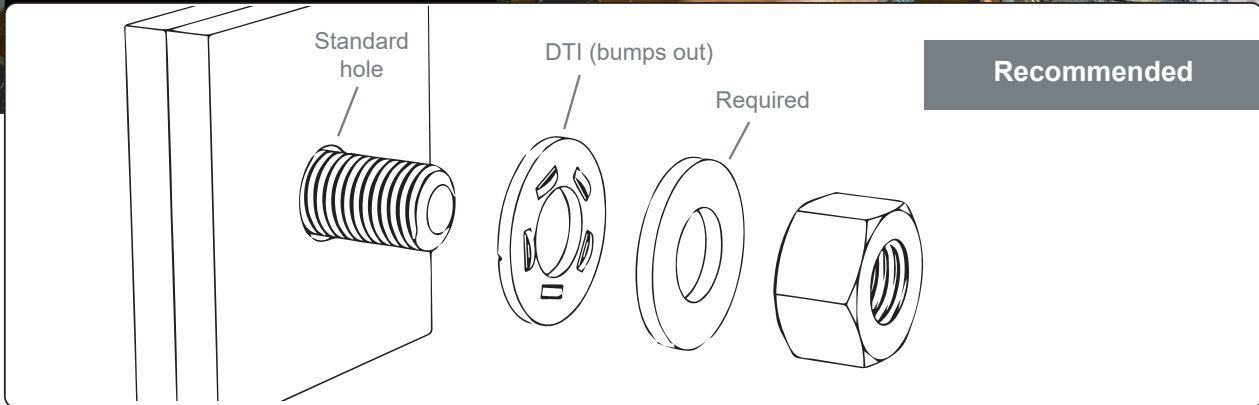
2009161D

# Quick Start Guide

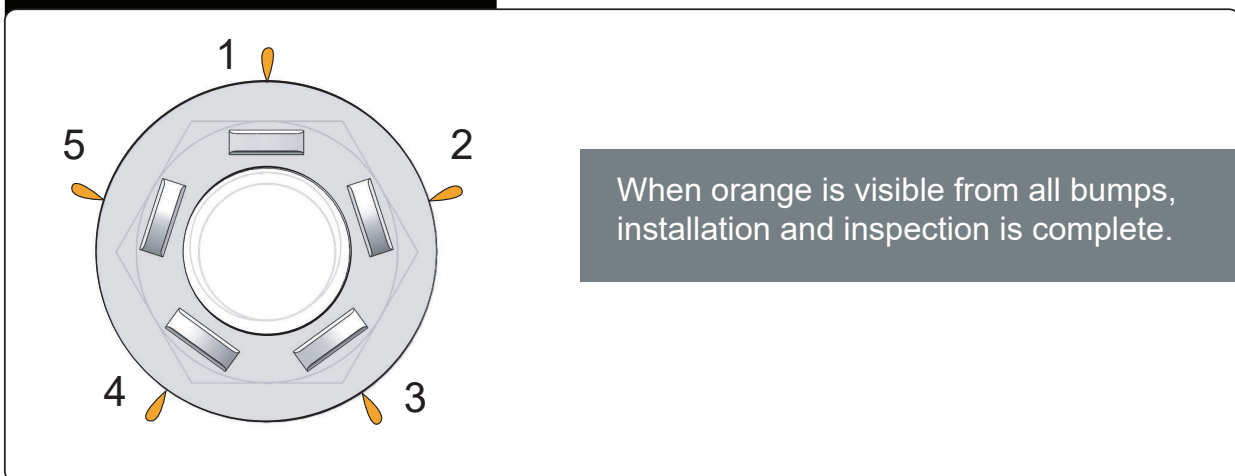
May 2020

applied  
**bolting**  
TECHNOLOGY

## Step 1 Assemble



## Step 2 Tighten / Inspect



Bolt Tension | Anti-Vibration | Product Reliability | Traceability

[hobson.com.au](http://hobson.com.au) **QUALITY FASTENERS SINCE 1935**



2009161D