




PRODUCT DATA

Metal SDS Flanged Hex Head

Self Drilling Screw (SDS) #12-14

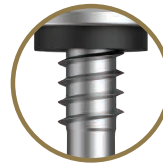
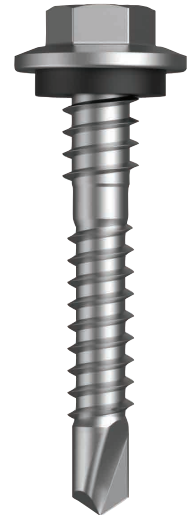
Applications	
<ul style="list-style-type: none"> • Metal to metal fixing • Fastening roofing panels to steel purlins/battens • Crest fixing- roofing sheet • XGRIP® to hold roofing profile (if external load applied) 	

Material	 C1022 Hardened
-----------------	--

Finish	 Class 4
---------------	--

Pullout Values				
Plate (Purlin)	Metal Plate Thickness	¹ Mean Load	² Characteristic Load	³ Working Load
	(mm)	(N)	(N)	(N)
G2	1.1	1650	1400	550
G450	2.0	5000	4650	1850
G450	2.5	6900	6200	2500
G450	3.8	10350	9600	3850

12 Gauge Hex Head



XGRIP

Drill Point Test					
Plate (Purlin)	Metal Plate Thickness	Load	Drill Speed	Drill Time	Drill Time
	(mm)	(kg)	(RPM)	(Max. individual) Seconds	(Max. average) Seconds
G450	2.0	18	2200	5.5	4

Mechanical Properties				
Torsional Strength	¹ Mean Tensile Strength	¹ Mean Shear Strength	² Characteristic Tensile Strength	² Characteristic Tensile Strength
(Nm)	(N)	(N)	(N)	(N)
10.9	16450	9900	13800	8300

Note: 1000N = 1kN

¹ Mean Load/Strength is the average ultimate strength of samples tested.

² Characteristic Load/Strength: 95% of these screws are expected to have a strength greater than the loads shown.

³ Working Load is the governing minimum allowable load obtained by comparing relevant concrete and steel working loads. Factor of Safety (FOS=2.5 for steel, FOS=2.5 for timber and FOS=3.0 for concrete) are already included.

All values are obtained under laboratory conditions using DRILLX product. Safety factors should be considered for design purposes. Actual pullout loads may differ slightly depending on certain properties of the base material.

Disclaimer: While every reasonable effort has been made to ensure that this document is correct at the time of printing, Hobson Engineering®, its agencies and employees, disclaim any and all liability to any person in respect of anything or the consequences of anything done or omitted to be done in reliance upon the whole or any part of this document.

DRILLX

Bolt Tension | Anti-Vibration | Product Reliability | Traceability

hobson.com.au **QUALITY FASTENERS SINCE 1935**

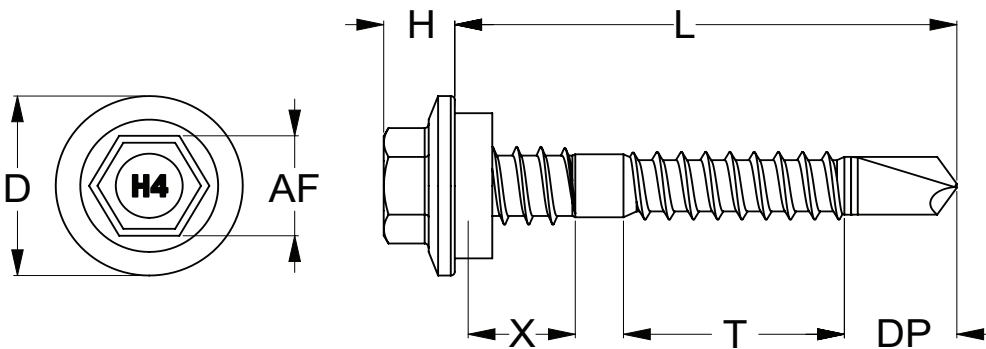




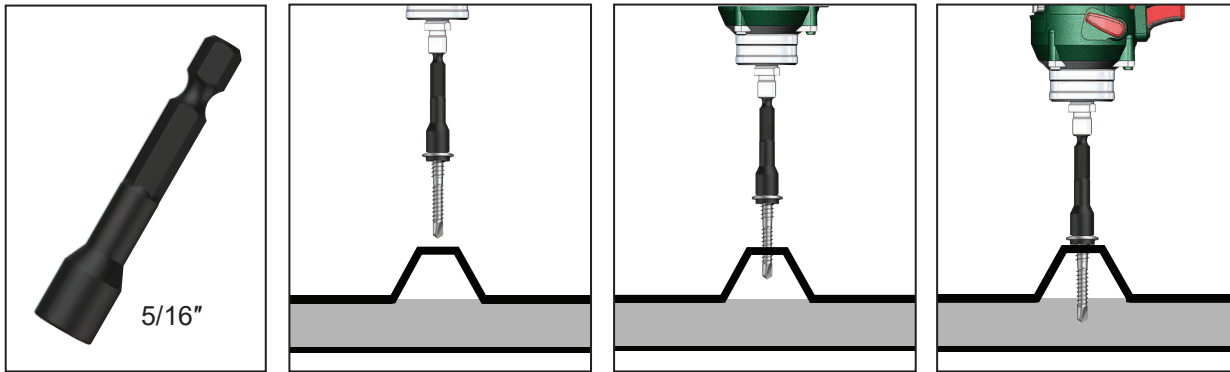
PRODUCT DATA

Metal SDS Flanged Hex Head

Part	QFind	Gauge	TPI	Length	Thread Length	Drill Point Length	XGRiP® Thread Length	Head Height	Head ø	Drive Size	Pack Qty
				L (mm)	T (mm)	DP (mm)	X (mm)	H (mm)	D (mm)	AF (inch)	
T9PM4XH1214037	Q295	12	14	37	18	7.5	7.8	5.5	14	HEX 5/16"	1000
T9PM4XH1214043	Q296			43	21						1000
T9PM4XH1214053	QA40			53	27						500



Installation



Recommended
HEX 5/16 inch Drive Bit:

Part	QFind	Length
		(mm)
TXDIPNSS31045	BA18	45
TXDIPNSS31065	B090	65
TXDDPNSS31100	B060	100
TXDDPNSS31150	B075	150
TXDDPNSS31200	BA01	200
TXDDPNSS31300	BA02	300

Installation Guide

1. Use a cordless screw driver set between 2,200-3,000 RPM. Fit the HEX Drive Bit over the screw and place at the fastening position.
2. Apply consistently firm pressure to the screw driver while the screw is drilling.
3. Care should be taken not to over-tighten the screw.

*Installation with impact drivers not recommended.

Disclaimer: While every reasonable effort has been made to ensure that this document is correct at the time of printing, Hobson Engineering®, its agencies and employees, disclaim any and all liability to any person in respect of anything or the consequences of anything done or omitted to be done in reliance upon the whole or any part of this document.

Bolt Tension | Anti-Vibration | Product Reliability | Traceability

hobson.com.au **QUALITY FASTENERS SINCE 1935**

