




# PRODUCT DATA

## vmaX® Roofing Screw with Washer

### vmaX® Self Drilling Screw (SDS) M6.2-11

Applications	
<ul style="list-style-type: none"> <li>• Wall cladding to thin metal battens, timber trusses and steel purlins</li> <li>• Roof flashing and cappings</li> <li>• Available in a variety of colours to suit Colorbond® range</li> </ul>	

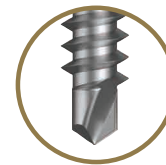
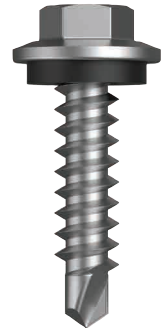
<b>Material</b>	 C1022 Hardened
-----------------	--

<b>Finish</b>	 Class 4
---------------	--

Pullout Values				
Plate (Purlin)	Metal Embedment Thickness	<sup>1</sup> Mean Load	<sup>2</sup> Characteristic Load	<sup>3</sup> Working Load
	(mm)	(N)	(N)	(N)
G2	0.55	1300	1050	400
G2	1.10	2550	2400	950
G2	1.50	5550	5250	2100

Mechanical Properties				
Torsional Strength	<sup>1</sup> Mean Tensile Strength	<sup>1</sup> Mean Shear Strength	<sup>2</sup> Characteristic Tensile Strength	<sup>2</sup> Characteristic Shear Strength
(Nm)	(N)	(N)	(N)	(N)
10.9	16550	9950	15450	9250

## 6.2mm Gauge Hex Head with Seal



vmaX® feature a universal drilling point. Suitable for fastening roof sheeting to thin metal battens, timber trusses and steel purlins up to 1.9mm thick.



Note: 1000N = 1kN

<sup>1</sup> Mean Load/Strength is the average ultimate strength of samples tested.

<sup>2</sup> Characteristic Load/Strength: 95% of these screws are expected to have a strength greater than the loads shown.

<sup>3</sup> Working Load is the governing minimum allowable load obtained by comparing relevant concrete and steel working loads. Factor of Safety (FOS=2.5 for steel, FOS=2.5 for timber and FOS=3.0 for concrete) are already included.

All values are obtained under laboratory conditions using DRILLX product. Safety factors should be considered for design purposes. Actual pullout loads may differ slightly depending on certain properties of the base material.

Disclaimer: While every reasonable effort has been made to ensure that this document is correct at the time of printing, Hobson Engineering®, its agencies and employees, disclaim any and all liability to any person in respect of anything or the consequences of anything done or omitted to be done in reliance upon the whole or any part of this document.



Bolt Tension | Anti-Vibration | Product Reliability | Traceability

[hobson.com.au](http://hobson.com.au) **QUALITY FASTENERS SINCE 1935**

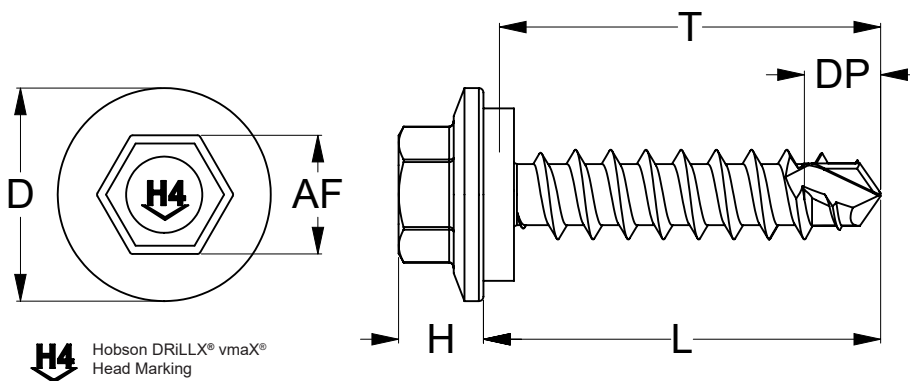




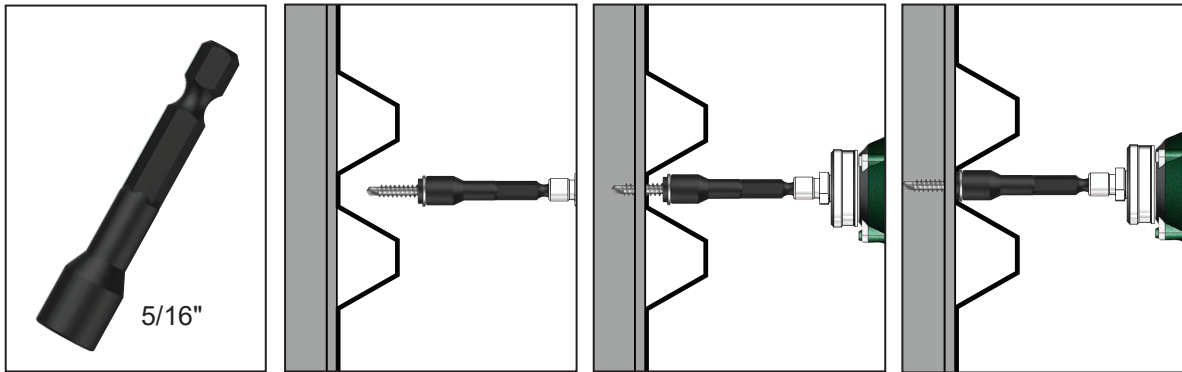
# PRODUCT DATA

## vmaX® Roofing Screw with Washer

Part	QFind	Gauge	TPI	Length	Thread Length	Drill Point Length	Head Height	Head ø	Drive Size	Pack Qty
		(mm)		L (mm)	T (mm)	DP (mm)	H (mm)	D (mm)	AF (inch)	
T9PV4SH6211025	QA73	6.2	11	25	23	5	6	15	HEX 5/16"	500



### Installation



Recommended  
HEX 5/16 inch Drive Bit:

Part	QFind	Length
		(mm)
TXDIPNSS31045	BA18	45
TXDIPNSS31065	B090	65

### Installation Guide

1. Use a cordless screw driver set at max 1,500 RPM. Fit the HEX Drive Bit over the screw and place at the fastening position.
2. Apply consistently firm pressure to the screw driver while the screw is drilling.
3. Care should be taken not to over-tighten the screw.

\*Installation with impact drivers not recommended.

Disclaimer: While every reasonable effort has been made to ensure that this document is correct at the time of printing, Hobson Engineering®, its agencies and employees, disclaim any and all liability to any person in respect of anything or the consequences of anything done or omitted to be done in reliance upon the whole or any part of this document.

Bolt Tension | Anti-Vibration | Product Reliability | Traceability