





PRODUCT DATA

Timber Type 17 Flanged Hex Head and Seal

Self Drilling Timber Screw (SDS) #10-12

Applications	
<ul style="list-style-type: none"> For fixing thin metal to timber Cladding/panels to timber battens 	

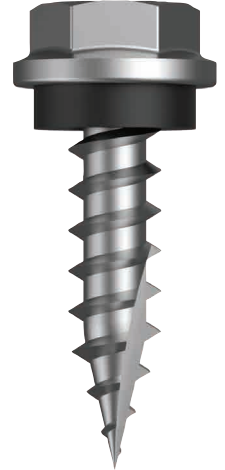
Material	 C1022 Hardened
-----------------	--

Finish	 Class 4
---------------	--

Pullout Values				
Plate Material	Timber Embedment	¹ Mean Load	² Characteristic Load	³ Working Load
	(mm)	(N)	(N)	(N)
F7 Pine	35	5400	3750	1500
F27 Hardwood	35	7850	6900	2750

Mechanical Properties				
Torsional Strength	¹ Mean Tensile Strength	¹ Mean Shear Strength	² Characteristic Tensile Strength	² Characteristic Shear Strength
(Nm)	(N)	(N)	(N)	(N)
5.4	10750	6450	9350	5600

10 Gauge Flanged Hex Head with Seal



Note: 1000N = 1kN

¹ Mean Load/Strength is the average ultimate strength of samples tested.

² Characteristic Load/Strength: 95% of these screws are expected to have a strength greater than the loads shown.

³ Working Load is the governing minimum allowable load obtained by comparing relevant concrete and steel working loads. Factor of Safety (FOS=2.5 for steel, FOS=2.5 for timber and FOS=3.0 for concrete) are already included.

All values are obtained under laboratory conditions using DRILLX product. Safety factors should be considered for design purposes. Actual pullout loads may differ slightly depending on certain properties of the base material.

Disclaimer: While every reasonable effort has been made to ensure that this document is correct at the time of printing, Hobson Engineering®, its agencies and employees, disclaim any and all liability to any person in respect of anything or the consequences of anything done or omitted to be done in reliance upon the whole or any part of this document.



Bolt Tension | Anti-Vibration | Product Reliability | Traceability

hobson.com.au **QUALITY FASTENERS SINCE 1935**

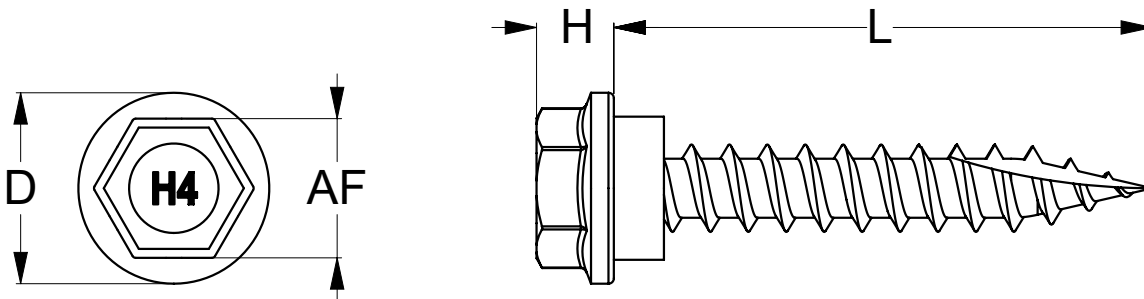




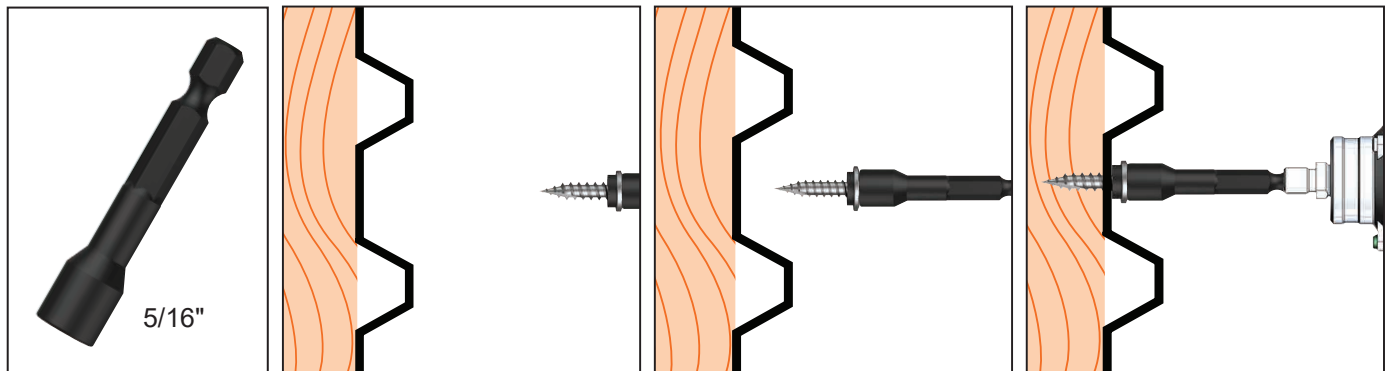
PRODUCT DATA

Timber Type 17 Flanged Hex Head and Seal

Part	QFind	Gauge	TPI	Length	Head Height	Head ø	Drive Size
				L (mm)	H (mm)	D (mm)	AF (inch)
T9PW4SH1012030	Q596	10	12	30	4.5	11.0	HEX 5/16"



Installation



Recommended
HEX 5/16 inch Drive Bit:

Part	QFind	Length
		(mm)
TXDIPNSS31045	BA18	45
TXDIPNSS31065	B090	65

Installation Guide

1. Use a cordless screw driver set at max 1,500 RPM. Fit the HEX Drive Bit over the screw and place at the fastening position.
2. Apply consistently firm pressure to the screw driver while the screw is drilling.
3. Care should be taken not to over-tighten the screw.

*Installation with impact drivers not recommended.

Disclaimer: While every reasonable effort has been made to ensure that this document is correct at the time of printing, Hobson Engineering®, its agencies and employees, disclaim any and all liability to any person in respect of anything or the consequences of anything done or omitted to be done in reliance upon the whole or any part of this document.

Bolt Tension | Anti-Vibration | Product Reliability | Traceability

hobson.com.au **QUALITY FASTENERS SINCE 1935**

