



PRODUCT DATA

ESL Dual Slot Self Lock Nut



J. LANFRANCO
LOCKNUTS FOR CRITICAL BOLTED JOINTS

NFE 25 411

Applications

- Mining and processing
- Railway and transportation
- Energy
- Military
- Industrial

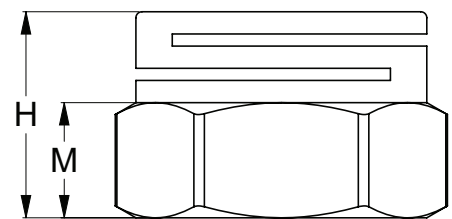
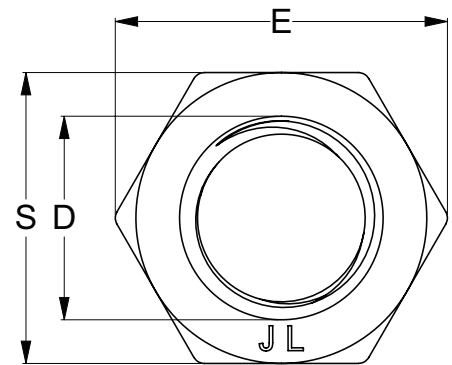
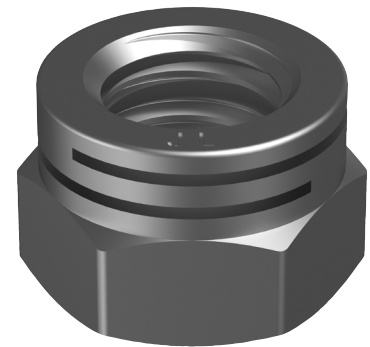
Features

- Extremely reliable
- Consistant prevailing torque
- No galling
- Locking slots independent of bolt tension

Material



Finish



Part	D	Pitch	H	M	S	E
		(mm)	(mm)	(mm)	(mm)	(mm)
NJ08TESLM06	M6	1.00	7.00	3.60	10.00	11.05
NJ08TESLM08	M8	1.25	8.80	4.80	13.00	14.38
NJ08TESLM10	M10	1.50	11.00	6.00	16.00	17.77
NJ08TESLM12	M12	1.75	13.00	7.20	18.00	20.03
NJ08TESLM16	M16	2.00	18.70	11.50	24.00	26.75
NJ08TESLM20	M20	2.50	21.00	12.00	30.00	32.95
NJ08TESLM24	M24	3.00	25.50	15.40	36.00	39.55
NJ08TESLM27	M27	3.00	28.00	17.00	41.00	45.20

Disclaimer: while every reasonable efforts has been made to ensure that this document is correct at the time of printing, Hobson Engineering®, its agencies and employees disclaim all liability in respect to anything or the consequences of anything done or omitted regarding the whole or any part of this document.

Bolt Tension | Anti-Vibration | Product Reliability | Traceability

hobson.com.au **QUALITY FASTENERS SINCE 1935**

