



PRODUCT DATA

Lifting Eye Bolt - DIN 580

Eye bolt approved and certified for lifting.
 Can be used in axial or angular loading.

Applications	
<ul style="list-style-type: none"> • Connection point for anchoring, rigging, pulling, lifting or hoisting. • Can be used with ropes, cables, shackles and hooks. • Threaded onto steel equipment, machine and structures. 	

Material	Grade C15E
-----------------	------------

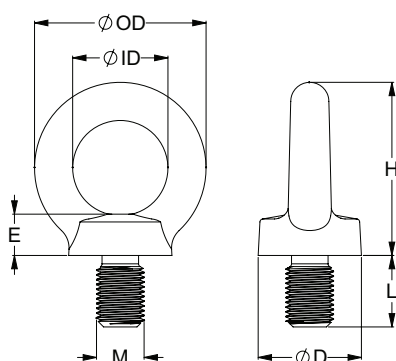
Finish	Zinc Plated (RoHS Compliant)
---------------	------------------------------



Features

- Approved for lifting.
- Stamped with working load for axial loading.

Part	Qfind	Size	Length	Height	Inside Eye Diameter	Outside Eye Diameter	Collar Diameter
		M	L (mm)	H (mm)	Ø ID (mm)	Ø OD (mm)	Ø D (mm)
ULEBC5ZD5M10	EBCZM10	M10	17.0	45	25	45	25
ULEBC5ZD5M12	EBCZM12	M12	20.5	53	30	54	30
ULEBC5ZD5M16	EBCZM16	M16	27.0	62	35	63	35



MARKINGS:

- CE (European Conformity)
- WLL (Working Load Limit)
- Other markings: Manufacturer's Mark, Material Grade (C15E), Size, Arrow indicating axial direction



You can download this Test Certificate and/or Report from our website:

hobson.com.au

Disclaimer: While every reasonable effort has been made to ensure that this document is correct at the time of printing, Hobson Engineering®, its agencies and employees, disclaim any and all liability to any person in respect of anything or the consequences of anything done or omitted to be done in reliance upon the whole or any part of this document.

Bolt Tension | Anti-Vibration | Product Reliability | Traceability

hobson.com.au **QUALITY FASTENERS SINCE 1935**





PRODUCT DATA

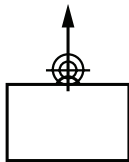
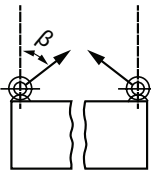
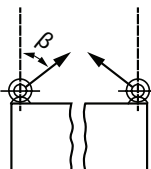
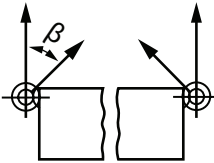
Lifting Eye Bolt - DIN 580

Minimum Ultimate Tensile Loads

Thread size	M6	M8	M10	M12	M16	M20	M24	M30
Minimum ultimate tensile load (axial)	4.4	8.2	13.5	20.0	41.2	70.6	106.0	189.0
Minimum ultimate tensile load (transverse, at 90°)	2.2	4.1	6.8	10.0	20.6	35.3	53.0	94.2

Minimum ultimate tensile loads in kN

Load-bearing capacity depending on direction of loading

Thread size		M6	M8	M10	M12	M16	M20	M24	M30
Load-bearing capacity, axial (WLL) per eye bolt		75	140	230	340	700	1200	1800	3200
Load-bearing capacity per eye bolt $0^\circ < \beta \leq 45^\circ$		55	100	170	240	500	860	1290	2300
Load-bearing capacity per eye bolt $\beta > 45^\circ$ to 60°		38	70	115	170	350	600	900	1600
Load-bearing capacity per eye bolt, with bolt fitted at sides of load $0^\circ \leq \beta \leq 45^\circ$									

Load-bearing capacity in kilogram.

Disclaimer: While every reasonable effort has been made to ensure that this document is correct at the time of printing, Hobson Engineering®, its agencies and employees, disclaim any and all liability to any person in respect of anything or the consequences of anything done or omitted to be done in reliance upon the whole or any part of this document.

Bolt Tension | Anti-Vibration | Product Reliability | Traceability

hobson.com.au **QUALITY FASTENERS SINCE 1935**

