



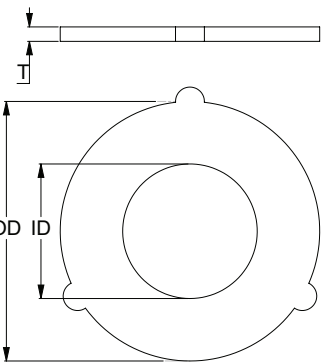
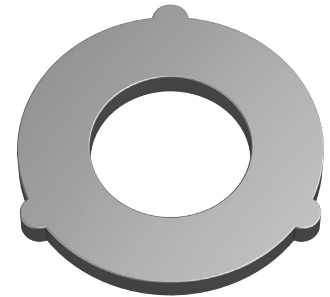
Structural Washer Dimensions

Dimensions

Structural Washers – Squirter® DTI (Direct Tension Indicator) Washers

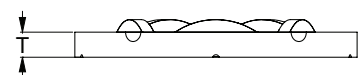
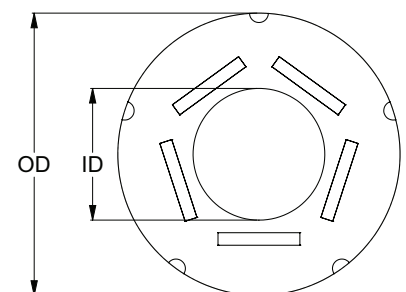
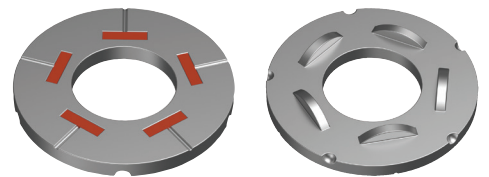
STRUCTURAL WASHERS 35-45HRC AS1252 / HOT DIP GALVANISED / PLAIN FINISH

Part	Size	OD (mm)	ID (mm)	THK (mm)	Pack
WRST?M12	M12	25.7	14.0	3.1	1000
WRST?M16	M16	32.4	18.0	3.1	800
WRST?M20	M20	37.4	22.0	3.1	500
WRST?M22	M22	42.4	24.0	3.4	350
WRST?M24	M24	48.4	26.0	3.4	350
WRSTGM27	M27	54.1	30.0	3.4	420
WRST?M30	M30	58.1	33.0	3.4	250
WRST?M36	M36	70.1	39.0	3.4	200



SQUIRTER® DTI (DIRECT TENSION INDICATOR) WASHERS ASTM F959M / MECHANICALLY GALVANISED

Part	Size	No. of Bumps	OD (mm)	ID (mm)	THK (mm)
WDSTGM16	M16	4	36.0	17.0	3.4
WDSTGM20	M20	5	46.0	21.0	3.8
WDSTGM24	M24	5	55.0	25.0	4.4
WDSTGM30	M30	7	68.0	32.0	4.4
WDSTGM36	M36	8	81.0	38.0	5.0



Bolt Tension | Anti-Vibration | Product Reliability | Traceability